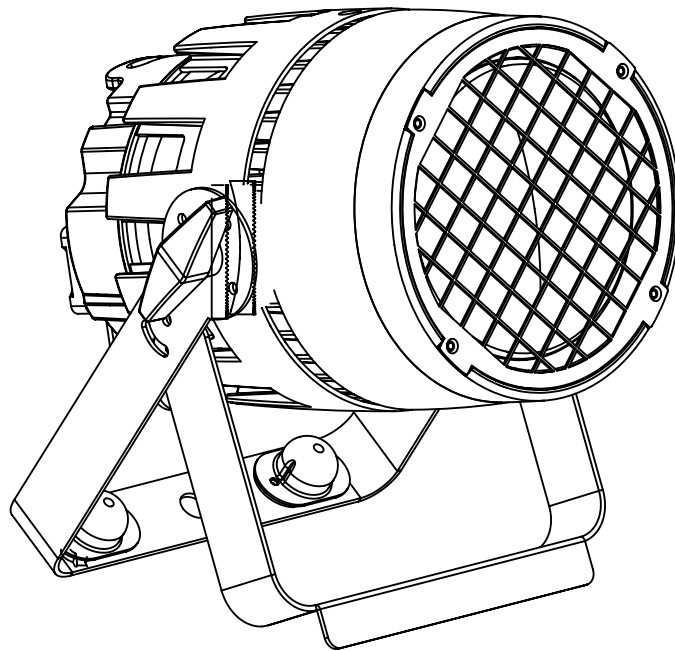


# FLEX IP MINI BLINDER

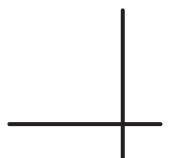
## USER MANUAL

CE



REV 1.0 - 24

English Version



# Table of contents

Caution! .....	3
Introduction .....	3
Safety instructions .....	3
Installation.....	4
Read 'Safety information' before installing the fixture .....	4
Fastening the fixture to a flat surface .....	4
Mounting the fixture on a truss.....	4
Securing with a safety cable .....	4
Power connection .....	5
Control Menu Map.....	5
DMX Protocol .....	7
Fixture Cleaning.....	20
Fuse Replacement .....	20
Troubleshooting .....	20
Technical specifications .....	21

## Caution!



Be careful with your operations. With a dangerous voltage you can suffer a dangerous electric shock when touching the wires!



Avoid looking directly into the light source!

Wear protective glasses and other PPE (personal protective equipment) when working on or near the fixture.



Always make sure you are connecting this product to the proper voltage in accordance with the specifications in this manual or on the product's specification label. Make sure it is grounded when using it!

Unplug mains lead before opening the housing!

Make sure that the power cord is never crimped or damaged by sharp edges. Check the fixture and the powercord from time to time.

Make sure to replace the fuse with another of the same type and rating.



For your own safety, please read this user manual carefully before you initial start-up.

Follow operating safety precautions and pay attention to warning signs methods and equipment on the user manual.



Warning! This symbol indicates a hot surface. Certain parts of the housing can become hot during operation. After use, wait for a cool-down period of at least 10 minutes before handling or transporting the device.

Every person involved with the installation, operation and maintenance of this device has to

- be qualified
- follow the instructions of this manual
- consider this manual to be part of the total product
- keep this manual for the entire service life of the product
- pass this manual on to every further owner or user of the product
- download the latest version of the user manual from the Internet

## Introduction

Thank you for having chosen FLEX IP MINI BLINDER. You will see you acquired a powerful and versatile device.

Unpack your item. Before you initial start-up, please make sure that there is no damage caused by transportation. Should there be any, consult your dealer and do not use the device.

## Safety instructions

This device has left our premises in absolutely perfect condition. In order to maintain this condition and to ensure a safe operation, it is absolutely necessary for the user to follow the safety instructions and warning notes written in this user manual. Always disconnect from the mains, when the device is not in

# FLEX IP MINI BLINDER

---

use or before cleaning it. Keep away children and amateurs from the device! There are no serviceable parts inside the device. Maintenance and service operations are only to be carried out by authorized dealers.

## Installation

Read 'Safety information' before installing the fixture.

The fixture is designed for indoor use only and must be used in a dry location with adequate ventilation. Ensure that none of the fixture's ventilation slots are blocked.

Fasten the fixture to a secure structure or surface. Do not stand it on a surface or leave it where it can be moved or fall over. If you install the fixture in a location where it may cause injury or damage if it falls, secure it as directed in this user manual using a securely anchored safety cable that will hold the fixture if the primary fastening method fails.

### Fastening the fixture to a flat surface

The fixture can be fastened to a hard, fixed, flat surface that is oriented at any angle. Ensure that the surface and all fasteners used can support at least 10 times the weight of all fixtures and equipment to be installed on it.

Fasten the fixture securely. Do not stand it on a surface or leave it where it can be moved or fall over. If you install the fixture in a location where it may cause injury or damage if it falls, secure it as directed below with a securely anchored safety cable that will hold the fixture if the primary fastening method fails.

### Mounting the fixture on a truss

The fixture can be clamped to a truss or similar rigging structure in any orientation. When installing the fixture hanging vertically down, you can use an open-type clamp such as a G-clamp. When installing in any other orientation, you must use a half-coupler clamp that completely encircles the truss chord.

To clamp the fixture to a truss:

1. Check that the rigging structure can support at least 10 times the weight of all fixtures and equipment to be installed on it.
2. Block access under the work area.
3. Fold the legs of the mounting bracket together and bolt a rigging clamp securely to the mounting bracket. The bolt used must be M10, grade 8.8 steel minimum. It must pass through both mounting bracket legs and be fastened with a self-locking nut.
4. Working from a stable platform, hang the fixture with its clamp on the truss and fasten the clamp securely.
5. Secure the fixture with a safety cable as directed below.

### Securing with a safety cable

Secure the fixture with a safety cable (or other secondary attachment) that is approved for the weight of the fixture so that the safety cable will hold the fixture if a primary attachment fails.

# FLEX IP MINI BLINDER

Loop the safety cable through the eyebolt in the back of the fixture and around a secure anchoring point. Do not loop the safety cable around the fixture's mounting bracket only, as this will leave the fixture unsecured if it separates from the bracket.

## Power connection


### Power Requirements

The FLEX IP MINI BLINDER luminaire operates on 100 to 240 volts AC (+/- 10%, auto-ranging). The luminaire contains an auto-ranging power supply.

Connection with the mains:

Connect the device to the mains with the enclosed power supply cable.

The occupation of the connection cables as below:

Cable color	Connection	International
<b>Brown</b>	<b>Live</b>	<b>L</b>
<b>Blue</b>	<b>Neutral</b>	<b>N</b>
<b>Yellow/green</b>	<b>Earth(Ground)</b>	

## Control Menu Map

First level menu	Secondary Menu	range	illustrate
DMX Mode	Channel	1CH/2CH/3CH/4CH/6CH/7CH/13CH/21CH/RGB10CH/RGB15CH/ CMY10CH/CMY15CH	
	Address	001-512	
Auto	Dimmer	000-255	
	effect	00-4	
	Speed	000-100	
Manual	Dimmer	000-255	
	Red	000-255	
	Green	000-255	
	Blue	000-255	
	Lemon	000-255	
	Amber	000-255	
CCT	Cyan	000-255	
	Dimmer	000-255	
	CCT	1800K-8500K	
Color Card	Dimmer	000-255	
	Color	01-60(See the table below)	

# FLEX IP MINI BLINDER

First level menu	Secondary Menu	range	illustrate
Setting	Signal status	Clear/Hold	
	MS switch	Shut down/Turn on	Shut down: Do not send host data to slave Turn on: Send host data to slave
	Fan mode	fan high/fan auto	Automatic fan: The temperature control is normal, the fan is rotating at 45 ℃ , and the fan is stationary below 40 ℃ Temperature control short circuit or open circuit: When the light bulb is on, the fan rotates, and when the light bulb is off, the fan remains stationary for about 20 seconds
	Lamp Order	Positive/reverse	Only applicable to auxiliary lighting
	Dim Curve	Linear/Square/Anti-Square/S-Line	
	Dim Mode	Standard/Stage/TV/ Architectural/Theatre/Stage2	Standard: Fast dimming Stage/TV/Architecture/Theater: Smooth Dimming Stage 2: Fast light up, smooth light off
	Card Fade	000-255	Only applicable to color card fading speed
	Bulb Effect	Shut down/Turn on	
	Dim Freq	2K/4K/7K/9K/11K/14K/16K/18K/21K/23K	
	Output Mode	Full power/Low power	
	Screen Saver	Shut down/Turn on	Turn on: Enter screensaver after 30 seconds
	Lock	Shut down/Turn on	
	Language	Chinese/English	
	Rotation	Shut down/Turn on	
	Restore	Shut down/Turn on	
Lamp Info	Use Time	00:00	
	Current Temp	xx ℃	
	Max Temp	xx ℃	
	Fan Status	Stop/Run	
	VER		

# FLEX IP MINI BLINDER

First level menu	Secondary Menu	range	illustrate
ROOT	R Current	20-255 (default 235)	(When the first level menu cursor is on the DMX, press and hold the menu key for 4-5 seconds to enter ROOT mode)
	G Current	20-255 (default 235)	
	B Current	20-255 (default 235)	
	L Current	20-255 (default 235)	
	A Current	20-255 (default 235)	
	C Current	20-255 (default 235)	
	Power	50-255 (default 185)	
	Temp Limit	40-80 (default 55)	
	Fan Speed	1-10	
	Push	Shut down/Turn on(Push device related settings to the slave)	

## DMX Protocol

1 CH	Mode	Function
CH1	Dimming	000-255: 0-100% Total dimming

2 CH	Mode	Function
CH1	Dimming	000-255: 0-100% Total dimming
CH2	CCT preset	000-017: No function
		018-085: 1800K-8500K
		086-255: 8500K

3 CH	Mode	Function
CH1	Dimming	000-255: 0-100% Total dimming
CH2	Strobe	000-031:Lamp beads turn off
		032-063: No function
		064-095: Normal strobe
		096-127: No function
		128-159: Pulse strobe
		160-191: No function
		192-223: Random strobe
		224-255: No function
CH3	CCT preset	000-017: No function
		018-085: 1800K-8500K
		086-255: 8500K

4 CH	Mode	Function
CH1	Dimming	000-255: 0-100% Total dimming
CH2	Red	000-255: Red dimming, from dark to bright
CH3	Green	000-255: Green dimming, from dark to bright

# FLEX IP MINI BLINDER

4 CH	Mode	Function
CH4	Blue	000-255: Blue dimming, from dark to bright

6 CH	Mode	Function
CH1	Red	000-255: Red dimming, from dark to bright
CH2	Green	000-255: Green dimming, from dark to bright
CH3	Blue	000-255: Blue dimming, from dark to bright
CH4	Lemon	000-255: Lemon tone light, from dark to bright
CH5	Amber	000-255: Amber tone light, from dark to bright
CH6	Cyan	000-255: Cyan dimming, from dark to bright

7 CH	Mode	Function
CH1	Dimming	000-255: 0-100% Total dimming
CH2	Fine Dimming	000-255: Fine Dimming, from dark to bright
CH3	Strobe	000-031: Lamp beads turn off
		032-063: No function
		064-095: Normal strobe
		096-127: No function
		128-159: Pulse strobe
		160-191: No function
		192-223: Random strobe
		224-255: No function
CH4	CCT preset	000-017: No function
		018-085: 1800K-8500K
		086-255: 8500K
CH5	CCT offset	001-127: -100%-0%
		128: 0%
		129-255: 0%-100%
CH6	Color card	001-179: Color card
	Color scrolling	180-201: Clockwise (from fast to slow speed)
		202-207: Stop
		208-229: Counterclockwise (from slow to fast speed)
	Randomly display colors	230-234: Stop
		235-239: Quick
		240-244: Medium
		245-249: Slow speed
250-255: Stop		

# FLEX IP MINI BLINDER

7 CH	Mode	Function
CH7	Output mode	000-024: empty
		025-034: Full power
		035-044: Low power(Fan speed decreases)
		045-099: empty
	Refresh rate	100-105: 2KHZ
		106-111: 4KHZ
		112-117: 7KHZ
		118-123: 9KHZ
		124-129: 11KHZ
		130-135: 14KHZ
		136-141: 16KHZ
		142-147: 18KHZ
		148-153: 21KHZ
		154-168: 23KHZ
	169-200: Empty	
	Dimming curve	201-210: Linear
		211-220: square
		221-230: Anti-Square
		231-240: S-Line
241-255: empty		

13 CH	Mode	Function
CH1	Dimming	000-255: 0-100% Total dimming
CH2	Fine Dimming	000-255: Fine Dimming, from dark to bright
CH3	Strobe	000-031:Lamp beads turn off
		032-063: No function
		064-095: Normal strobe
		096-127: No function
		128-159: Pulse strobe
		160-191: No function
		192-223: Random strobe
224-255: No function		
CH4	Red	000-255: Red dimming, from dark to bright
CH5	Green	000-255: Green dimming, from dark to bright
CH6	Blue	000-255: Blue dimming, from dark to bright
CH7	Lemon	000-255: Lemon tone light, from dark to bright
CH8	Amber	000-255: Amber tone light, from dark to bright
CH9	Cyan	000-255: Cyan dimming, from dark to bright
CH10	CCT preset	000-017: No function
		018-085: 1800K-8500K
		086-255: 8500K
CH11	CCT offset	001-127: -100%-0%
		128: 0%
		129-255: 0%-100%

# FLEX IP MINI BLINDER

13 CH	Mode	Function
CH12	Color card	001-179: Color card
	Color scrolling	180-201: Clockwise (from fast to slow speed)
		202-207: Stop
		208-229: Counterclockwise(from slow to fast speed)
	Randomly display colors	230-234: Stop
		235-239: Quick
		240-244: Medium
245-249: Slow speed		
250-255: Stop		
CH13	Output mode	000-024: empty
		025-034: Full power
		035-044: Low power(Fan speed decreases)
		045-099: empty
	Refresh rate	100-105: 2KHZ
		106-111: 4KHZ
		112-117: 7KHZ
		118-123: 9KHZ
		124-129: 11KHZ
		130-135: 14KHZ
		136-141: 16KHZ
		142-147: 18KHZ
		148-153: 21KHZ
		154-168: 23KHZ
	169-200: Empty	
	Dimming curve	201-210: Linear
		211-220: square
		221-230: Anti-Square
		231-240: S-Line
		241-255: empty

21 CH	Mode	Function
CH1	Dimming	000-255: 0-100% Total dimming
CH2	Fine Dimming	000-255: Fine Dimming, from dark to bright
CH3	Strobe	000-031:Lamp beads turn off
		032-063: No function
		064-095: Normal strobe
		096-127: No function
		128-159: Pulse strobe
		160-191: No function
		192-223: Random strobe
224-255: No function		
CH4	Red	000-255: Red dimming, from dark to bright
CH5	Red Fine	000-255:Red fine-tuning, from dark to bright
CH6	Green	000-255: Green dimming, from dark to bright
CH7	Green Fine	000-255: Green fine-tuning, from dark to bright
CH8	Blue	000-255: Blue dimming, from dark to bright

# FLEX IP MINI BLINDER

21 CH	Mode	Function
CH9	Blue Fine	000-255:Blue fine-tuning, from dark to bright
CH10	Lemon	000-255: Lemon tone light, from dark to bright
CH11	Lemon Fine	000-255: Lemon fine-tuning, from dark to bright
CH12	Amber	000-255: Amber tone light, from dark to bright
CH13	Amber fine-tuning	000-255: Amber fine-tuning, from dark to bright
CH14	Cyan	000-255: Cyan dimming, from dark to bright
CH15	Cyan fine-tuning	000-255: Cyan fine-tuning, from dark to bright
CH16	CCT	000-017: no function 018-255: 1800K-8500K
CH17	CCT Fine	000-255: CCT Fine
CH18	CCT offset	001-127: -100%-0%
		128: 0%
		129-255: 0%-100%
CH19	Color card	001-179: Color card
	Color scrolling	180-201: Clockwise (from fast to slow speed)
		202-207: Stop
		208-229: Counterclockwise(from slow to fast speed)
	Randomly display colors	230-234: Stop
		235-239: Quick
		240-244: Medium
245-249: Slow speed		
250-255: Stop		
CH20	Dimming Speed	The following settings will take effect after staying for three seconds
		001-020: Standard
		021-040: Stage
		041-060: TV
		061-080: Architecture
		081-100: Theater
		101-120: Stage 2
	Color card fading time	121-141: The larger the value, the longer the fade in and fade out time of the color card
		142-149: empty
	Light bulb effect	150-154: On
		155-159: Close
		160-255: empty

# FLEX IP MINI BLINDER

21 CH	Mode	Function
CH21	Output mode	000-024: empty
		025-034: Full power
		035-044: Low power(Fan speed decreases)
		045-099: empty
	Refresh rate	100-105: 2KHZ
		106-111: 4KHZ
		112-117: 7KHZ
		118-123: 9KHZ
		124-129: 11KHZ
		130-135: 14KHZ
		136-141: 16KHZ
		142-147: 18KHZ
		148-153: 21KHZ
		154-168: 23KHZ
	Dimming curve	169-200: Empty
		201-210: Linear
		211-220: square
		221-230: Anti-Square
		231-240: S-Line
241-255: empty		

RGB10 CH	Mode	Function
CH1	Dimming	000-255: 0-100% Total dimming
CH2	Fine Dimming	000-255: Fine Dimming, from dark to bright
CH3	Strobe	000-031:Lamp beads turn off
		032-063: No function
		064-095: Normal strobe
		096-127: No function
		128-159: Pulse strobe
		160-191: No function
		192-223: Random strobe
224-255: No function		
CH4	Red	000-255: Red dimming, from dark to bright
CH5	Green	000-255: Green dimming, from dark to bright
CH6	Blue	000-255: Blue dimming, from dark to bright
CH7	CCT preset	000-017: No function
		018-085: 1800K-8500K
		086-255: 8500K
CH8	CCT offset	001-127: -100%-0%
		128: 0%
		129-255: 0%-100%

# FLEX IP MINI BLINDER

RGB10 CH	Mode	Function
CH9	Color card	001-179: Color card
	Color scrolling	180-201: Clockwise (from fast to slow speed)
		202-207: Stop
		208-229: Counterclockwise(from slow to fast speed)
	Randomly display colors	230-234: Stop
		235-239: Quick
		240-244: Medium
		245-249: Slow speed
		250-255: Stop
	CH10	Output mode
025-034: Full power		
035-044: Low power(Fan speed decreases)		
045-099: empty		
Refresh rate		100-105: 2KHZ
		106-111: 4KHZ
		112-117: 7KHZ
		118-123: 9KHZ
		124-129: 11KHZ
		130-135: 14KHZ
		136-141: 16KHZ
		142-147: 18KHZ
		148-153: 21KHZ
		154-168: 23KHZ
169-200: Empty		
Dimming curve		201-210: Linear
		211-220: square
		221-230: Anti-Square
		231-240: S-Line
		241-255: empty

RGB15 CH	Mode	Function
CH1	Dimming	000-255: 0-100% Total dimming
CH2	Fine Dimming	000-255: Fine Dimming, from dark to bright
CH3	Strobe	000-031:Lamp beads turn off
		032-063: No function
		064-095: Normal strobe
		096-127: No function
		128-159: Pulse strobe
		160-191: No function
		192-223: Random strobe
224-255: No function		
CH4	Red	000-255: Red dimming, from dark to bright
CH5	Red Fine	000-255:Red fine-tuning, from dark to bright
CH6	Green	000-255: Green dimming, from dark to bright

# FLEX IP MINI BLINDER

RGB15 CH	Mode	Function
CH7	Green Fine	000-255: Green fine-tuning, from dark to bright
CH8	Blue	000-255: Blue dimming, from dark to bright
CH9	Blue Fine	000-255:Blue fine-tuning, from dark to bright
CH10	CCT	000-017: empty
		018-255: 1800K-8500K
CH11	Color temperature fine-tuning	000-255: Color temperature fine-tuning
CH12	CCT offset	001-127: -100%-0%
		128: 0%
		129-255: 0%-100%
CH13	Color card	001-179: Color card
	Color scrolling	180-201: Clockwise (from fast to slow speed)
		202-207: Stop
		208-229: Counterclockwise(from slow to fast speed)
	Randomly display colors	230-234: Stop
		235-239: Quick
		240-244: Medium
245-249: Slow speed		
250-255: Stop		
CH14	Dimming Speed	The following settings will take effect after staying for three seconds
		001-020: Standard
		021-040: Stage
		041-060: TV
		061-080: Architecture
		081-100: Theater
		101-120: Stage 2
	Color card fading time	121-141: The larger the value, the longer the fade in and fade out time of the color card
		142-149: empty
	Light bulb effect	150-154: On
155-159: Close		
160-255: empty		

# FLEX IP MINI BLINDER

RGB15 CH	Mode	Function
CH15	Output mode	000-024: empty
		025-034: Full power
		035-044: Low power(Fan speed decreases)
		045-099: empty
	Refresh rate	100-105: 2KHZ
		106-111: 4KHZ
		112-117: 7KHZ
		118-123: 9KHZ
		124-129: 11KHZ
		130-135: 14KHZ
		136-141: 16KHZ
		142-147: 18KHZ
		148-153: 21KHZ
		154-168: 23KHZ
	169-200: Empty	
	Dimming curve	201-210: Linear
		211-220: square
		221-230: Anti-Square
		231-240: S-Line
241-255: empty		

CMY10 CH	Mode	Function
CH1	Dimming	000-255: 0-100% Total dimming
CH2	Fine Dimming	000-255: Fine Dimming, from dark to bright
CH3	Strobe	000-031:Lamp beads turn off
		032-063: No function
		064-095: Normal strobe
		096-127: No function
		128-159: Pulse strobe
		160-191: No function
		192-223: Random strobe
224-255: No function		
CH4	Lemon	000-255: Lemon tone light, from dark to bright
CH5	Amber	000-255: Amber tone light, from dark to bright
CH6	Cyan	000-255: Cyan dimming, from dark to bright
CH7	CCT preset	000-017: No function
		018-085: 1800K-8500K
		086-255: 8500K
CH8	CCT offset	001-127: -100%-0%
		128: 0%
		129-255: 0%-100%

# FLEX IP MINI BLINDER

CMY10 CH	Mode	Function
CH9	Color card	001-179: Color card
	Color scrolling	180-201: Clockwise (from fast to slow speed)
		202-207: Stop
		208-229: Counterclockwise(from slow to fast speed)
	Randomly display colors	230-234: Stop
		235-239: Quick
		240-244: Medium
		245-249: Slow speed
		250-255: Stop
	CH10	Output mode
025-034: Full power		
035-044: Low power(Fan speed decreases)		
045-099: empty		
Refresh rate		100-105: 2KHZ
		106-111: 4KHZ
		112-117: 7KHZ
		118-123: 9KHZ
		124-129: 11KHZ
		130-135: 14KHZ
		136-141: 16KHZ
		142-147: 18KHZ
		148-153: 21KHZ
		154-168: 23KHZ
169-200: Empty		
Dimming curve		201-210: Linear
		211-220: square
		221-230: Anti-Square
		231-240: S-Line
		241-255: empty

CMY15 CH	Mode	Function
CH1	Dimming	000-255: 0-100% Total dimming
CH2	Fine Dimming	000-255: Fine Dimming, from dark to bright
CH3	Strobe	000-031:Lamp beads turn off
		032-063: No function
		064-095: Normal strobe
		096-127: No function
		128-159: Pulse strobe
		160-191: No function
		192-223: Random strobe
224-255: No function		
CH4	Cyan	000-255: Cyan dimming, from dark to bright
CH5	Cyan fine-tuning	000-255: Cyan fine-tuning, from dark to bright
CH6	Magenta	000-255: Magenta dimming, from dark to bright

# FLEX IP MINI BLINDER

CMY15 CH	Mode	Function
CH7	Magenta fine-tuning	000-255: Magenta fine-tuning, from dark to bright
CH8	Yellow	000-255: Yellow dimming, from dark to bright
CH9	Yellow fine-tuning	000-255: Yellow fine-tuning, from dark to bright
CH10	CCT	000-017: empty
		018-255: 1800K-8500K
CH11	Color temperature fine-tuning	000-255: Color temperature fine-tuning
CH12	CCT offset	001-127: -100%-0%
		128: 0%
		129-255: 0%-100%
CH13	Color card	001-179: Color card
	Color scrolling	180-201: Clockwise (from fast to slow speed)
		202-207: Stop
		208-229: Counterclockwise(from slow to fast speed)
	Randomly display colors	230-234: Stop
		235-239: Quick
		240-244: Medium
		245-249: Slow speed
250-255: Stop		
CH14	Dimming Speed	The following settings will take effect after staying for three seconds
		001-020: Standard
		021-040: Stage
		041-060: TV
		061-080: Architecture
		081-100: Theater
	Color card fading time	101-120: Stage 2
		121-141: The larger the value, the longer the fade in and fade out time of the color card
	Light bulb effect	142-149: empty
		150-154: On
155-159: Close		
		160-255: empty

# FLEX IP MINI BLINDER

CMY15 CH	Mode	Function
CH15	Output mode	000-024: empty
		025-034: Full power
		035-044: Low power(Fan speed decreases)
		045-099: empty
	Refresh rate	100-105: 2KHZ
		106-111: 4KHZ
		112-117: 7KHZ
		118-123: 9KHZ
		124-129: 11KHZ
		130-135: 14KHZ
		136-141: 16KHZ
		142-147: 18KHZ
		148-153: 21KHZ
		154-168: 23KHZ
		169-200: Empty
	Dimming curve	201-210: Linear
		211-220: square
		221-230: Anti-Square
		231-240: S-Line
		241-255: empty

## Color temperature meter

DMX	CCT	DMX	CCT
18	1800	57	5700
19	1900	58	5800
20	2000	59	5900
21	2100	60	6000
22	2200	61	6100
23	2300	62	6200
24	2400	63	6300
25	2500	64	6400
26	2600	65	6500
27	2700	66	6600
28	2800	67	6700
29	2900	68	6800
30	3000	69	6900
31	3100	70	7000
32	3200	71	7100
33	3300	72	7200
34	3400	73	7300
35	3500	74	7400
36	3600	75	7500
37	3700	76	7600
38	3800	77	7700

# FLEX IP MINI BLINDER

DMX	CCT	DMX	CCT
39	3900	78	7800
40	4000	79	7900
41	4100	80	8000
42	4200	81	8100
43	4300	82	8200
44	4400	83	8300
45	4500	84	8400
46	4600	85	8500
47	4700		
48	4800		
49	4900		
50	5000		
51	5100		
52	5200		
53	5300		
54	5400		
55	5500		
56	5600		

## Color chart

VALUE	RANGE	COLOR	VALUE	RANGE	COLOR
1	1-3	Oyster white	31	92-94	Heather violet
2	4-6	Beige	32	95-97	Blue lilac
3	7-9	golden	33	98-100	Pearl Purple
4	10-12	Beige color	34	101-103	Pearl Blackberry
5	13-15	Ivory color	35	104-106	Pigeon Blue
6	16-18	Light ivory color	36	107-109	Azure blue
7	19-21	dark yellow	37	110-112	Light Blue
8	22-24	canary yellow	38	113-115	Gentian Blue
9	25-27	Light Orange Yellow	39	116-118	Bright Blue
10	28-30	Yellow Orange	40	119-121	Capri blue
11	31-33	Light Orange	41	122-124	Water Blue
12	34-36	Pure Orange	42	125-127	Far Blue
13	37-39	Salmon Orange	43	128-130	wathet
14	40-42	Pearl Orange	44	131-133	Pearl Gentian Blue
15	43-45	Flame Red	45	134-136	Pearl Night Blue
16	46-48	Signal red	46	137-139	patina green
17	49-51	Carmin	47	140-142	Emerald Green
18	52-54	Ruby Red	48	143-145	Leaf green
19	55-57	Purple red	49	146-148	Grass green
20	58-60	Tomato red	50	149-151	Yellow green
21	61-63	Antique pink	51	152-154	Green traffic
22	64-66	rose pink	52	155-157	Fern green
23	67-69	Coral Red	53	158-160	Opal green

# FLEX IP MINI BLINDER

---

VALUE	RANGE	COLOR	VALUE	RANGE	COLOR
24	70-72	rose	54	161-163	Light green
25	73-75	Traffic Red	55	164-166	Pastel turquoise
26	76-78	Pearl ruby red	56	167-169	Silk Grey
27	79-81	Eastern Red	57	170-172	Cream color
28	82-84	Wine Red	58	173-175	Signal white
29	85-87	Oxidation Red	59	176-178	Light brown
30	88-91	Red lilac	60	179	Orange yellow brown

## Fixture Cleaning

Due to fog residue, smoke, and dust cleaning the internal and external optical lenses and mirror should be carried out periodically to optimize light output. Cleaning frequency depends on the environment in which the fixture operates (i.e. smoke, fog residue, dust, dew). In heavy club use we recommend cleaning on a monthly basis. Periodic cleaning will ensure longevity, and crisp output.

To clean the fixture:

1. Disconnect the fixture from power and allow it to cool for at least 10 minutes.
2. Vacuum or gently blow away dust and loose particles from the outside of the fixture with low-pressure compressed air.
3. Clean the surfaces by wiping gently with a soft, clean lint-free cloth moistened with a weak detergent solution. Do not rub glass surfaces hard: lift particles off with a soft repeated press. Dry with a soft, clean, lint-free cloth or low-pressure compressed air. Remove stuck particles with an unscented tissue or cotton swab moistened with glass cleaner or distilled water.
4. Check that the fixture is dry before reapplying power.

## Fuse Replacement

This fuse is located in a fuseholder next to the MAINS OUT socket on the connections panel.

To replace a fuse:

1. Disconnect the fixture from power and allow it to cool for at least 10 minutes.
2. Unscrew the cap of the fuseholder and remove the fuse. Replace with a fuse of the same size and rating only.
3. Reinstall the fuseholder cap before reapplying power.

## Troubleshooting

Listed below are a few common problems that you may encounter, with solutions.

The fixture does not work, no light

- Check the connection of power and main fuse. Be sure the external fuse has not blown.
- Measure the mains voltage on the main connector.

# FLEX IP MINI BLINDER

---

## Technical specifications

Model	FLEX IP MINI BLINDER
Power supply:	AC100-240V, 50/60Hz
Light source:	178 * 2W
Color temperature:	1800K - 8500K
Color Rendition:	CRI 92+
Range:	65°
Power connection:	PowerCON in & out
Signal connection:	3-pin XLR in & out
DMX channels:	1CH/2CH/3CH/4CH/6CH/7CH/13CH/21CH/RGB10CH/RGB15CH/ CMY10CH/CMY15CH
Control mode:	DMX and RDM controls
Housing:	Colour black
Size(barn door excluded):	250 x 216 x 213mm
N.W.:	3.5 kg
Enviroment:	IP65

Please note: All information is subject to change without prior notice.